

AC-25S Coil Wrapping Machine

The AC-25S wrapper is a model with 2-in-1 function which is appropriate for wrapping coil objects like cable/pipe/tire and straight objects like bar or plate. With quick/easy adjustments, you can wrap wide range of objects for dust-proof, surface protection and bundle.

Features

- Patented movable roller design for easy wrapping adjustment for different objects.
- Patented design for small object to avoid film wrap slack.
- Foot switch controls START and STOP with home position.
- Adjustable wrapping speed with safety E.M.G stop.
- Complete safety cover for reducing the risk of operator.
- Optional wrapping modes of Continuous or JOG can be choose from panel.
- With casters for easy moving.
- Powder coating for complete machine.
- Auto cutting and clamping (STD for AC-25S)

Machine Specifications

Electrical: 1 Phase, 110V / 220V, 50 / 60Hz

Rotate Ring: Ring dia. 250mm

Speed: Adjustable Rotate Ring Speed 20~180 R.P.M.

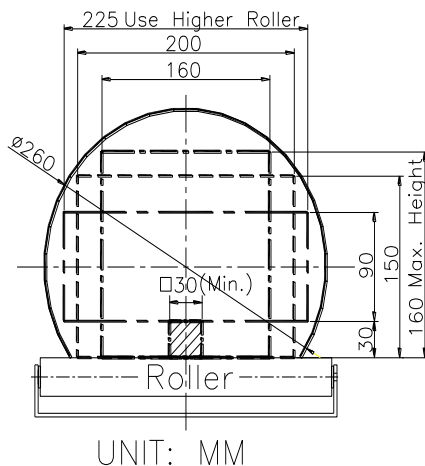
Film Specifications

- PVC/PE Film, Max. O.D. 80mm x 50mm (W)
- Film Paper Coil I.D. 25.4mm~27mm

Option:

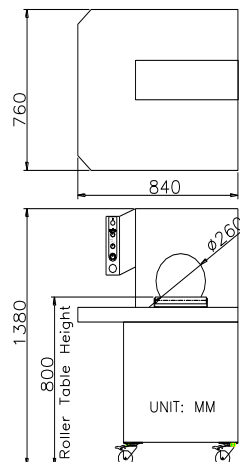
- Model AC-50S (Ring dia. 500mm / 76mm core film, Max. O.D. 200mm x 125mm (W))

Wrapping Range



Min. Coil I.D. 180mm

Machine Dimension



Min. Square 30mm



ADMA International Co., LTD

No. 388-2, Feng Hsin., Tan Tzu Dist. Taichung City, Taiwan R.O.C

TEL: 886-4-25393952 FAX: 886-4-25395542

Web: www.admatec.com.tw

E-mail: service@admatec.com.tw